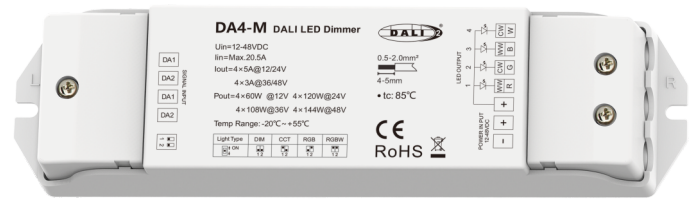


4 Channel Constant Voltage DALI LED Dimmer

- 4 channel constant voltage DALI LED Dimmer.
- 1 DALI address, DT6 dimming or DT8-TC color temperature or DT8-RGB or DT8-RGBW selectable.
- DALI-2 certified, In accordance with DALI standard protocol IEC 62386-102, IEC 62386-207, IEC 62386-209 and in compliance with DALI products from other international incorporation.
- DALI address will be automatically assigned by DALI master.
- PWM digital dimming, standard DALI logarithmic dimming curve.
- Over-load / Short circuit protection, recover automatically.

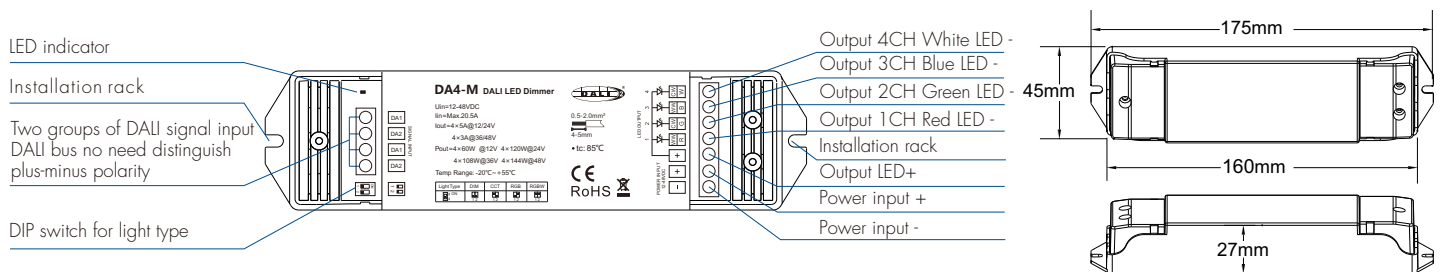


CE RoHS emc LVD

Technical Parameters

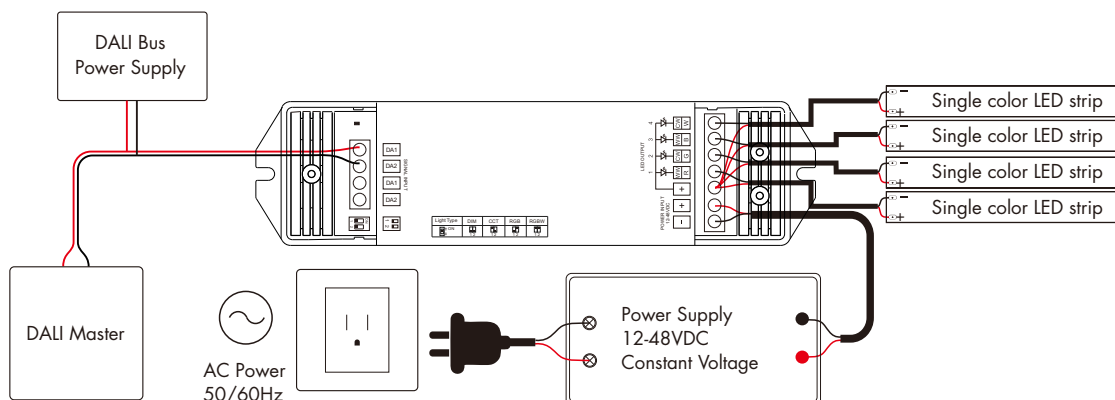
Input and Output		Dimming data		Safety and EMC	
Input voltage	12-48VDC	Input signal	DALI	EMC standard (EMC)	EN IEC 55015:2019+A11:2020 EN 61547:2009 EN IEC 61000-3-2:2019+A11:2021 EN 61000-3-3:2013+A11:2019
Input current	20.5A	Dimming range	0 - 100%	Safety standard(LVD)	EN 61347-1:2015+A1:2021 EN 61347-2-13:2014+A1:2017
Output voltage	12-48VDC	Dimming curve	Logarithmic	Certification	CE,EMC
Output current	4x5A@12/24V 4x3A@36/48V	PWM Frequency	2000Hz (default)	Package	
Output power	4 x 60W @12V 4x120W@24V 4 x 108W@36V 4x144W@48V	Environment		Size	L178x W150 x H38mm
Output type	Constant voltage	Operation temperature	Ta: -20°C ~ +55°C	Gross weight	0.14kg
Warranty and Protection		Case temperature (Max.)	Tc: +85°C		
Warranty	5 years	IP rating	IP20		
Protection	Reverse polarity, Overload Short circuit				

Mechanical Structures and Installations




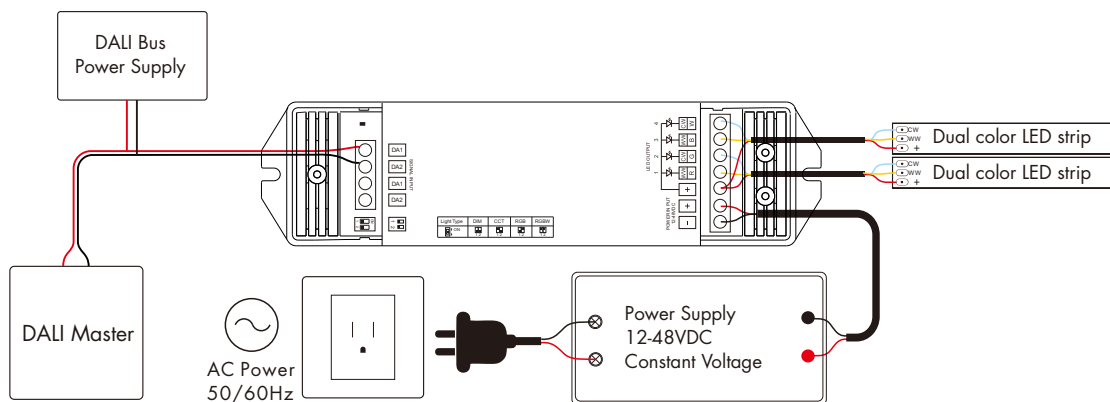
Wiring Diagram

- DA4-M for single color ()



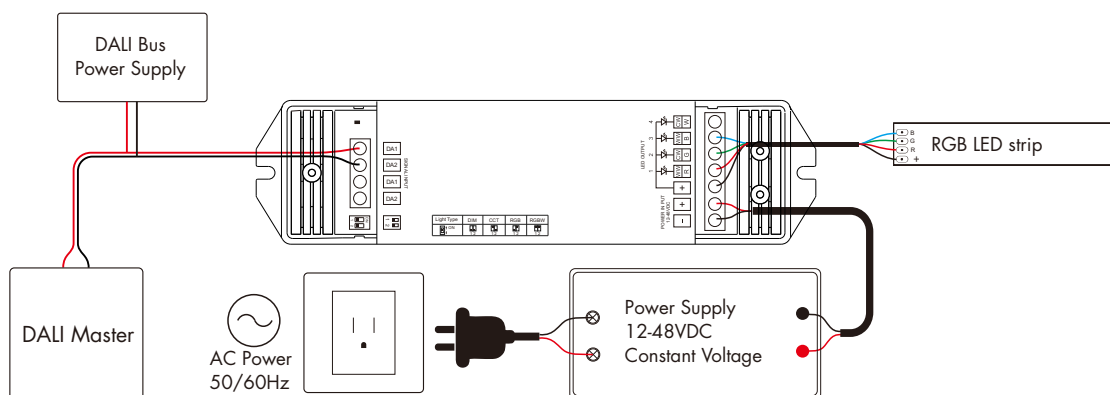
Note: The four output LED channels output is same.

• DA4-M for dual color ()



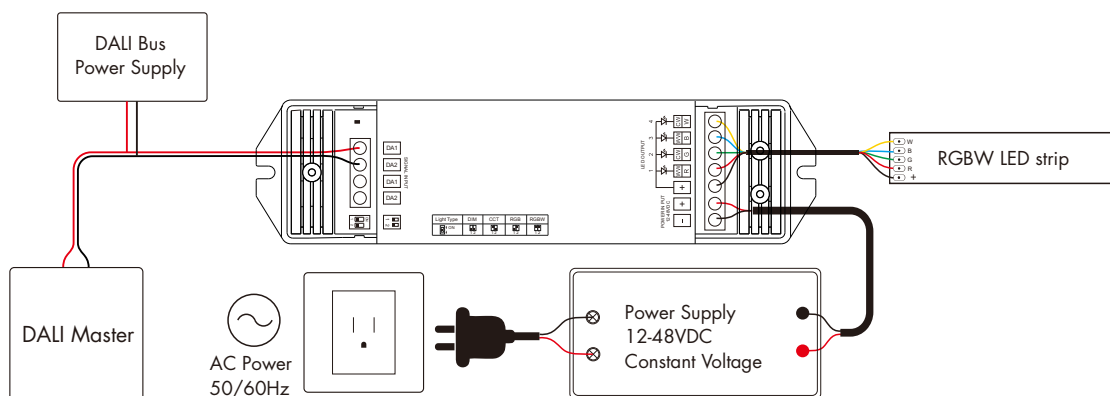
Note: The 3/4 LED channel output is same as 1/2 LED channel.

• DA4-M for RGB ()



Note: The 4th LED channel no output.

• DA4-M for RGBW ()



DALI control

This product is designed with 1 DALI address input and 4 channel output, DALI address is assigned by DALI Master controller automatically, please refer to user manuals of compatible DALI Masters for specific operations.

Safety & Warnings

- DO NOT install with power applied to device.
- DO NOT expose the device to moisture.