

Technical Data

Input Power: 5V DC 0.3A

Output Protocol: DMX (3 types of connector)

Output Connector: XLR 3pin (DS) Block 3 pins (RB) RJ45 8 pins (RJ)

Number of channels for live/pc use: 128 (expandable to 512)

Number of channels for stand alone use: 12 (expandable to 512)

Programmability: with PC/Windows (MAC in option)

Indicators (leds): 2

red : should blink fast (normal) otherwise the interface has a problem

green : blink fast in live/pc mode, blink slow in stand alone mode and display the scene number

if both leds blink together, the interface is in bootloader mode (contact us)

Button: 1 (access to next scene in stand alone mode)

I/O ports: 2 contact inputs (optional) with RJ version

Stand Alone Memory: 504 steps with 12 channels / 122 steps with 60 channels

26 steps with 256 channels, 10 steps with 512 channels (these values are for 4 scenes only)

DMX driver chipset: SP485ECP-L MAX485CPA+ ADM485JNZ

Temperature: -10 °C + 45 °C

Hardware Dimensions: 75x20x17mm (DS) 63x26x28mm (RB) 55x26x28mm (RJ)

Blister Dimensions (complete): 21x9x3,5 cm

Carton Dimensions (50 pieces): 50x25x30 cm

Hardware Weight: 37g (DS) 22g (RB) 21g (RJ)

Blister Weight (complete): 84g (DS) 69g (RB) 68g (RJ)

Carton Weight (50 pieces): 5,5Kg

Warranty: 12 months

DMX output / 3 types of connector

SUSHI-DS : XLR female 3 pins Connector pin1 ground pin2 data- pin3 data+

SUSHI-RB : SCREW Connector Block pin1 ground pin2 data+ pin3 data-

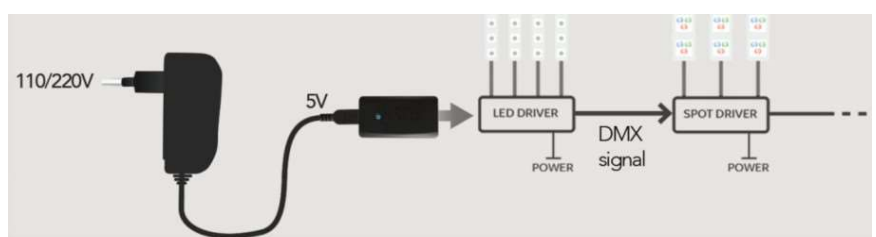
SUSHI-RJ : RJ45 8 pins Connector pin1 data+ pin2 data- pin8 ground

Stand alone use / power

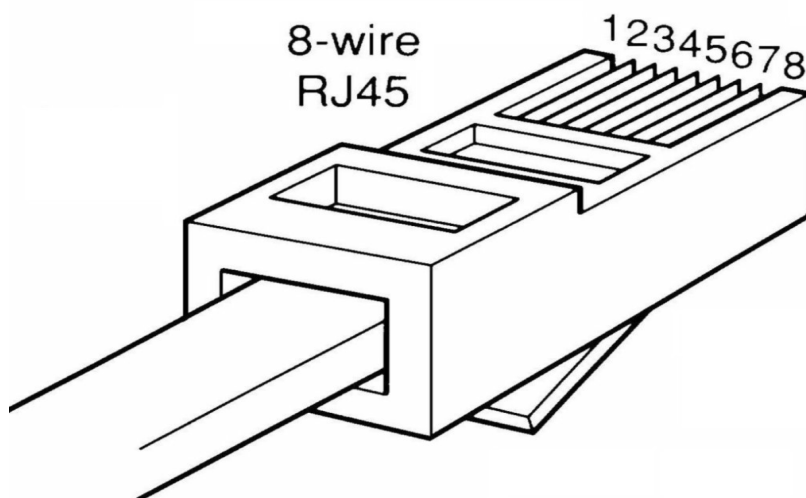
For stand alone use, the SUSHI can be powered by a standard 5V USB power

This optional power supply is available for a cost of USD 15.

(available with EU, UK or US plug)



RJ45 connector (SUSHI-RJ)



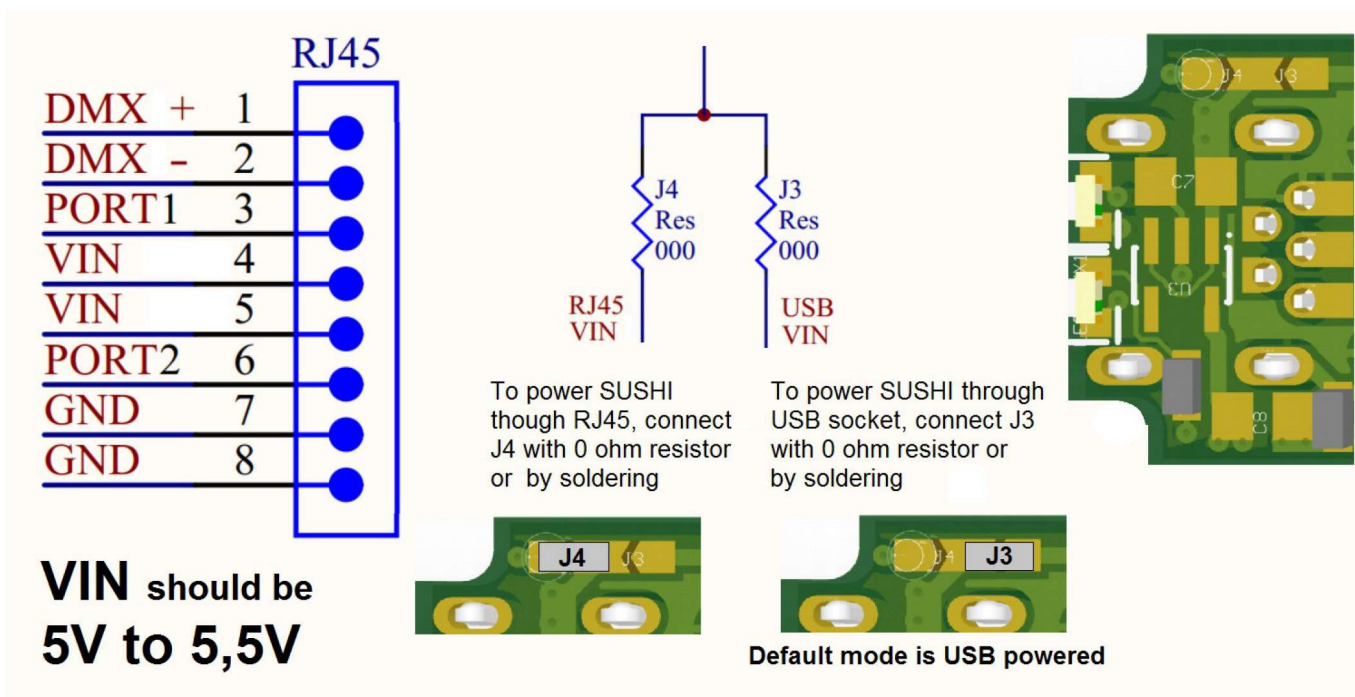
Use Pins 1,2,8 for DMX OUTPUT

1 = DMX+ 2 = DMX- 8 = DMX GROUND

Other pins : Reserved for electronic technicians !



5V Power input (4-5= VIN-5V 7=GROUND)
2 contacts inputs (3=Port1 6=Port2)



How to use the 2 contacts inputs : make a contact between the Port (pin 3 or 6) and GND (pin 7 or 8)
Port triggering is not available by default (option). Contact us to know the price.